

# Smoothie Fresh London

## PRICE LIST

2012

V01232012

Smoothie Fresh London Ltd, Unit 6 Plumpton House, Plumpton Road,  
Hoddesdon, Hertfordshire EN11 0LB

T: 020 8351 3219 • M: 07544 638 329 • E: [info@smoothiefreshlondon.com](mailto:info@smoothiefreshlondon.com) • W: [smoothiefreshlondon.com](http://smoothiefreshlondon.com)  
Company Reg. No. 07425196 • VAT Reg. No. 945 0795 96

Prices subject to change and exclusive of VAT.  
All graphics are for illustrative purposes only.  
Prices correct at time of going to press.

© 2012 Smoothie Fresh London Ltd.

# INDEX

Smoothies	4
Blenders	5
Consumables	10
Smoothie Extras & Juices	16
Hot & Cold Beverages	19
Milkshakes	25
Point Of Sale Materials	27
Juicing Machines	28
Centrifugal Machines	31
Ice Machines	33
Ice Cream Machines	34
Coffee Machines	35

\*Prices include **Free Delivery** when delivered with our own drivers, with no minimum order when purchased with our smoothies.

If we don't currently deliver in your area, we can ship most goods by courier, however a small delivery charge may apply.

# Mix 'n' Match Deal

You can now mix and match cases throughout our catalogue to count towards the minimum delivery requirement and you'll still get the multi-case price for the whole order.

**This way, you can stay stocked up on all of your popular lines without cluttering your store room.**

For example, say if you order 1 box of smoothies, a case of ZUMA hot chocolate, a case of cups, a case of hot cups, a case of straws and a case of frappe – you get the multi-case price for all of them and get free delivery.

**Don't forget... we still offer FREE delivery, no matter how big or small your order is.**

\*Items purchased must be in cases to qualify for multi-case prices.

# SMOOTHIES

## 100g IQF Smoothie Sachets **\*Best Seller\***



100g of individually quick frozen mixed fruit, neatly prepared into individual sachets, ready to mix with juice for that perfect smoothie.

Available in boxes of 30, or bags of 10.

Boxes and bags are one single flavour

### Flavours available:

**Detox** (Pineapple & Strawberry)

**Energy Refueller** (Raspberry & Mango)

**Strawberry Sensation** (Strawberry & Banana)

**Berry Fresh** (Strawberry, Raspberry & Blackberry)

**Tropical Mix** (Mango, Melon, Pineapple & Kiwi)

From £20.82 per box when purchased in boxes of 30. Just 69p per sachet.

£9.50 per bag when purchased in bags of 10. 85p per sachet

\*Free Delivery

## 140g IQF Smoothie Sachets



140g of individually quick frozen mixed fruit, neatly prepared into individual sachets, ready to mix with juice for that perfect smoothie.

Available in boxes of 30, or bags of 10.

Boxes and bags are one single flavour and cannot be mixed.

### Flavours available:

**Pineapple Surprise** (Pineapple, Mango & Pear)

**Strawberry Delight** (Strawberry, Banana & Peach)

**Blueberry Bliss** (Wild Blueberry, Raspberry, Mango & Papaya)

**Raspberry Dream** (Raspberry, Mango, Papaya & Grape)

**Cranberry Squeeze** (Cranberry, Pineapple, Mandarin & Grape)

**Strawberry Refresher** (Strawberry, Sour Cherry & Grape)

From £25.32 per box when purchased in boxes of 30. Just 84p per sachet.

From £10.00 per bag when purchased in bags of 10. £1.00 per sachet.

\*Free Delivery

**We can also supply a range of frozen loose fruits, purées & smoothie supplements. Please contact us for further details.**

# BLENDERS

## JTC TM-800A Omniblend V **\*Best Seller\***

Now With **FREE Tamper Tool!**



This is a touch-control unit which is simple to use and clean. The powerful and highly efficient 3hp motor has a power output of 950 watts, which makes this unit ideal for cafés, restaurants, bars, and other food outlets.

The heavy duty blades quickly puree and blend even the toughest ingredients. With its rugged construction, this powerful machine outlasts its rivals many times over. The versatile speed control allows to you purée, blend, chop or grind virtually anything - even ice! Plus, its one-touch pre-programmed cycles save you time and effort.

Makes approximately 30 drinks per day.

Extra jugs and spare drive sockets available.

This blender comes with 6 months manufacturer warranty.

\*Free Delivery

**Our Price £245**

~~RRP: £395~~

Save £150

## JTC 1.5ltr Polycarbonate Jug **\*Best Seller\***

Now With **FREE Tamper Tool!**



Virtually unbreakable 1.5ltr polycarbonate jug for the JTC TM-800A Omniblend V.

Great as a spare for those rush-hour moments.

With 3-way pouring, this specially designed jug creates a vortex when in use to pull product through the blades.

\*Free Delivery

**Our Price £59.95**

~~RRP: £70.00~~

Save £10.05

**We also stock a range of spare parts for JTC Blenders.**



## Blendtec Xpress

The Blendtec Xpress has five pre-programmed profiles designed for speedy delivery. With the power of 1500 Watts, it crushes ice and frozen fruit in seconds.

The 'no-tend' touchpad controls mean that employees can attend to other customers or do other tasks while a drink is blending which saves time and labour costs. Also, with its blue LCD display, cycle count and solid state electronics, this blender looks great.

Makes approximately 30 drinks per day.

Extra jugs available.

\*Free Delivery

**Our Price £395**

~~RRP: £455~~

Save £60



## Blendtec SpaceSaver

Initially created for use in bar wells, the footprint of the SpaceSaver® is the smallest in the blending industry. The SpaceSaver is loaded with features typically found on more expensive machines. This blender packs huge power for its small size. Its ability to be mounted in your countertop offers maximum versatility for any situation. With so many options to conserve your countertop area, the SpaceSaver® truly saves space!

Makes approximately 100 drinks per day.

Extra jugs available.

\*Free Delivery

**Our Price £595**

~~RRP: £695~~

Save £100

## Blendtec Q Series **\*Best Seller\***



With the development of the Q-Series™ sound reduction technology, Blendtec blenders continue to deliver the same industry leading performance, at a reduction of 10 decibels, nearly half of the audible sound associated with normal blender operations.

The Blendtec Q Series is the choice of many of the worlds leading smoothie and frozen coffee retailers. The Q Series has 30 programs to choose from and can blend ice cubes and frozen fruit in super fast time.

Makes approximately 300 drinks per day.

Extra jugs available.

\*Free Delivery

**Our Price £795**

~~RRP: £995~~

Save £200

## Blendtec ABC



The ABC perfects one-touch blending to allow you to press a button and return to your customers while the blender finishes the job. The ABC is equipped with a safety interlock for improved blender safety. Lifting the lid in the middle of the cycle causes the blender to stop – preventing injury and misuse – while closing the lid automatically initiates the pre-selected blend cycle.

Makes approximately 300 drinks per day.

Extra jugs available.

\*Free Delivery

**Our Price £860**

~~RRP: £1,070~~

Save £210

## Blendtec Red Rinser



The Little Red Rinser is a compact and low profile accessory designed to rinse any container with a diameter of 23cm or less. It's made of unbreakable polycarbonate plastic.

A stainless steel spray nozzle assures trouble-free operation. Four suction cups keep the rinser secure in the bottom of the sink. No electricity required.

1/3 water usage in 2/3 of the time. Also helps to protect staff from potentially harmful sanitisers.

Includes flexible nylon-reinforced tubing with compression fittings.

\*Free Delivery

**Our Price £155**

~~RRP: £175~~

Save £20

## Blendtec 64oz Jug **\*Best Seller\***



This virtually unbreakable 64-ounce polycarbonate blending jar is ergonomically designed for 3-way pouring.

The square design creates a vortex in the jar that forces ingredients into the blades for smooth processing.

The single-prong wingtip blade assembly which maximises blending, is ultra-sonically welded into the jar and never needs to be removed for cleaning.

Jars are stackable and feature easy-to-read markings.

\*Free Delivery

~~RRP: £80~~

**Our prices**

**£69.95 for 1-2 jugs**

**£67.95 for 3-4 jugs**

**£64.95 for 5-9 jugs**

**£62.95 for 10+ jugs**

\*For larger quantities, please enquire

## Blendtec Wildside 96oz Jug

Just like the traditional Blendtec square jug, but with a fifth side, taking blending to the extreme!

This large capacity 96oz jug is BPA-free and has a 4" blade with easy-open vented gripper lid. Shorter and half the weight of other jars with comparable volume.

Recommended for use with Blendtec Q Series and above.

Jars are stackable and feature easy-to-read markings.



\*Free Delivery

**Our price £104.95**

~~RRP: £120.00~~

Save £15.05

\*For larger quantities, please enquire

# CONSUMABLES

## 1000 x 10oz Recyclable Plastic Cups



These 10oz plastic smoothie cups are some of the most popular plastic cups available from Smoothie Fresh London.

Ideal for slush/granita drinks, fruit salads, kids desserts and cold drinks.

Advance ordering required.

Why not mix & match boxes of different size cups or other products for a better price. Ask for details.

\*Free Delivery

**Our prices**

**£43.99 for 1 case**

**£42.95/case for 2 cases**

**£41.95/case for 3 cases**

**£40.95/case for 4 cases**

**£39.95/case for 5 cases**

**£38.95/case for 6+ cases**

~~RRP: £44.95 per case~~

## 1000 x 12oz Recyclable Plastic Cups **\*Best Seller\***



These 12oz plastic smoothie cups are some of the most popular plastic cups available from Smoothie Fresh London.

Ideal for smoothies, shakes, frappes and other cold drinks.

Why not mix & match boxes of different size cups for a better price. Ask for details

**Also available:**

- 50 - 150 £4.00 per 50
- 200 - 250 £3.75 per 50
- 300 - 450 £3.33 per 50
- 500 - 700 £3.00 per 50
- 750 - 950 £2.60 per 50

\*Free Delivery

**Our prices**

**£44.99 for 1 case**

**£43.95/case for 2 cases**

**£42.95/case for 3 cases**

**£41.95/case for 4 cases**

**£40.95/case for 5 cases**

**£39.95/case for 6+ cases**

~~RRP: £49.99 per case~~

## 1000 x 16oz Recyclable Plastic Cups **\*Best Seller\***



These 16oz plastic smoothie cups are some of the most popular cups available from Smoothie Fresh London.

Ideal for large (grande) servings of smoothies, or why not fill them with ice cream if you prefer, or even milkshakes, yogurt drinks and even frappés.

Why not mix & match boxes of different size cups or other products for a better price.

Ask for details.

\*Free Delivery

### **Our prices**

**£52.95 for 1 case**

**£50.95/case for 2 cases**

**£48.95/case for 3 cases**

**£46.95/case for 4 cases**

**£44.95/case for 5 cases**

**£43.95/case for 6+ cases**

~~RRP: £59.99 per case~~

## 1000 x 20oz Recyclable Plastic Cups **\*Best Seller\***



These 20oz plastic smoothie cups are some of the largest plastic cups available from Smoothie Fresh London.

For customers who prefer their drinks super-sized!

Why not mix & match boxes of different size cups or other products for a better price.

Ask for details.

\*Free Delivery

### **Our prices**

**£59.95 for 1 case**

**£57.95/case for 2 cases**

**£55.95/case for 3 cases**

**£54.95/case for 4 cases**

**£53.95/case for 5 cases**

**£52.95/case for 6+ cases**

~~RRP: £66.99 per case~~

## 1000 x Recyclable Plastic Smoothie Cup Lids



Clear dome lid with hole for straw. These lids universally fit our entire smoothie cup range, from 10oz to 20oz smoothie cups.

Made from the same material as plastic bottles, these lids are easily recyclable, where facilities exist.

Why not mix & match boxes for a better price. Ask for details.

### Also available:

- 100 - £6.00
- 300 - £14.99
- 500 - £19.99

\*Free Delivery

### Our prices

**£32.95/case for 1-2 cases**

**£31.95/case for 3+ cases**

~~RRP: £34.95 per case~~

## 500 x Jumbo Smoothie Straws **\*Best Seller\***



8mm jumbo straws to suck up the thickest of smoothies.

Length 20cm.

\*Free Delivery

### Our prices

**£9.99 for 500**

**£17.00 for 1000**

**£25.95 for 2000**

**£37.45 for 3000**

**£48.45 for 4000**

**£59.45 for 5000**

## Double-Walled Rippled Hot Beverage Cups



**Biodegradable** eco-friendly double-wall insulated hot cups – hot inside, cool outside. Thanks to an insulating air gap between two paperboard layers, these cups allow your customers to hold and carry their hot drinks more comfortably than the traditional hot cups. Eliminates the need for separate cup sleeves.

These double-walled hot cups are available in two sizes. The 12oz has a purple rippled coating (pictured) and the 16oz has green coating.

Specially designed to be used with domed takeaway sip lids.

### Our prices

**£39.95 per 500 pack for 12oz size**  
~~£46.95~~ **£45.95 per 500 pack for 16oz size**

## Polystyrene Hot Beverage Cups



Polystyrene hot cups – hot inside, cool outside. These cups allow your customers to hold and carry their hot drinks more comfortably than the traditional paper hot cups.

Specially designed to be used with domed takeaway sip lids.

All sizes are sold by the case. Each case contains 1000 units.

**Please contact us for lid prices.**

### Our prices

**£26.20 per case of 10oz size**  
**£29.40 per case of 12oz size**  
**£38.50 per case of 16oz size**

## Single-Walled Speciality Hot Beverage Cups



Made by Huhtamaki, a world leader in catering consumables, these single-walled speciality hot cups are a perfect green alternative to polystyrene cups.

Specially designed to be used with domed takeaway sip lids.

All sizes are sold by the case. Each case contains 1000 units.

**Please contact us for lid prices.**

### Our prices

**£37.99 per case of 9oz size**  
**£36.99 per case of 12oz size**  
**£48.49 per case of 14oz size**

## 1000 x SOLO Sip Lids **\*Best Seller\***



These domed sip lids are designed to be used with our takeaway hot beverage cups.

A small sip-hole has been incorporated on the top of the lid - perfect for sipping hot coffee, tea or other hot drinks through.

These dome-shaped lids are also suitable for serving takeaway cappuccinos.

### Our prices

\*Free Delivery

**£20.50 per case of 12/16oz size**

## 2- & 4-way Cup Carriers



2-Way Carrier



4-Way Carrier

Fully recyclable where facilities exist.

2-way carrier comes in packs of 420.

4-way carrier comes in packs of 210.

Please specify which size you need when ordering.

\*Free Delivery

**Our price**  
**£21.99 per box**

## 1000 x Hot Beverage Cup Sleeves



Medium



Large

These takeaway cup holders ("coffee clutches") are perfect for use with any hot drink 'To Go'

Superb for reducing the risk of customers burning their fingers on the wall of the disposable cups. Designed to fit our takeaway cups.

Made from quality corrugated cardboard, these coffee clutches will help maintain the temperature of the drink.

Sleeves available in two sizes: medium and large.

\*Free Delivery

**Our price £16.99 per box**

## 1000 x 7.5in Wooden Hot Beverage Stirrers



These cafe-bar wooden stirrers are ideal for stirring all hot drinks, including coffee and tea. A well-made natural product used in trendy café bars everywhere.

These wooden stirrers are more environmentally friendly than plastic stirrers, as they are biodegradable.

Fully recyclable where facilities exist.

\*Free Delivery

**Our prices  
£5.95 per box**

# SMOOTHIE EXTRAS & JUICES

## Frozen Fat-Free Plain Yoghurt (4 litre tub) **\*Best Seller\***



Low in fat, our plain yoghurt is the perfect addition to your healthy smoothies.

Our yoghurt caters to all different tastes and requirements.

We also supply a range of flavoured yoghurts, including mango, orange, and strawberry. Advance ordering is required on flavoured yoghurts.

\*Free Delivery

### Our prices

**£6.99 each for 1 tub**

**£5.99 each for 2-3 tubs**

**£5.49 each for 4-5 tubs**

or

**£29.99 for 1 case (6 tubs)**

## **\*New\*** Frozen Fat-Free Plain Yoghurt (pellet sachets)

Simple to use with no waste, pre-portioned individual sachets of natural frozen yoghurt pellets, ideal for making smoothies thicker, without using less juice.

To use, just drop into your blender along with your smoothie sachet and juice, and blend.

Sachets come in bags of 10, just like our smoothies, so you don't need to worry about having lots of freezer space.

Image  
Coming  
Soon

\*Free Delivery

### Our prices

**£5.50 per bag (0.55p/sachet)**

**£9.45 for 2 bags (0.47/sachet)**

**£13.45 for 3 bags (0.44/sachet)**

Or

**£19.95 per case 1 x 5 bags (50 sachets) (0.39/sachet)**

## **Powdered Plain Yoghurt Mix (5 x 1kg)**



Simply mix 1kg bag with 6 litres of milk and pour into your soft serve yoghurt machine.

Sold in cases of 5 x 1kg long life foil packs.

Each case makes 30 litres of liquid yoghurt for soft serve machines.

**Our price £54.95 per case**

\*Free Delivery

## **Concentrated 100% Apple Juice Mixer **\*Best Seller\*****



Our 1 litre cartons make approximately five 12oz smoothies.

The ideal mixer juice to make those refreshingly cool Summer smoothies

Our apple juice is also available to purchase individually in 1 litre cartons.

### **Also available:**

- £9.00 per case of 12

**Our price £0.75/1ltr carton**

\*Free Delivery

## Teisseire Syrups **\*Best Seller\***



Made from real fruit and with fresh water from the French Alps. No Artificial colours, flavours or preservatives, Teisseire Syrups are ideal for flavouring cold drinks, sparkling water over ice, hot drinks (e.g. lattes and hot chocolates), cocktails, milkshakes, deserts – the list is endless!

**Display Stand is also available for £29.95**

**Easy Dispense Pumps also available at £3.65 each**

**Easy Dispense Pourers also available at £1.75 each**



### Flavours available:

- Almond
- Banana
- Caramel
- Cinnamon
- Chocolate
- Coconut
- Hazelnut
- Raspberry
- Strawberry
- Vanilla

### The flavours below require advanced ordering

- Apple
- Blackcurrant
- Cane sugar
- Cherry
- Cranberry
- Grapefruit
- Green mint
- Grenadine
- Lime
- Melon
- Passion fruit
- Peach
- Triple Sec

### Our price

**1-3 bottles  
£6.99 each**

**4 bottles  
£6.45 each**

**5 bottles  
£5.95 each**

**6+ bottles  
£5.75 each**

# HOT & COLD BEVERAGES



## ZUMA Original Hot Chocolate Tub (2kg) **\*Best Seller\***

This delicious chocolate powder has all sorts of uses; making luxurious and creamy hot chocolate, as a topping on a cappuccino, in mocha, in frappes, or just as an ingredient in cakes and biscuits. Blended from the finest cocoas (min 25% cocoa solids) from around the world, and unlike many hot chocolate powders it doesn't contain any powdered milk, preservatives or GMOs (Genetically Modified Organisms).

Suitable for vegetarians.

Why not mix and match Zuma products to receive discounts for each product. (Can be mixed flavour cases)

**Also available:** 40g scoop - £0.25 each



### Our prices

~~£14.95~~ £13.95 each

~~£14.95~~ £12.95 each for 2-3 tubs

### Our prices

~~£14.95~~ £12.45 each for 4-5 tubs

~~£14.95~~ £11.95 each for 6+ tubs

\*Free Delivery

\*Free Delivery



## ZUMA Coffee Frappé Mix (2kg) **\*Best Seller\***

Zuma frappé powders will rocket your drinks into the fourth dimension in an explosion of flavour and aroma. Blend ice, milk and a scoop of high quality Zuma frappé powder to give your customers a taste sensation they're not going to forget in a hurry! Get creative and add a pump of Teisseire syrup flavour of your choice, a dusting of chocolate, or if your feeling really extravagant, a swirl of delicious whipped cream.

Suitable for vegetarians.

Why not mix and match Zuma products to receive discounts for each product. (Can be mixed flavour cases)

**Also available:** 40g scoop - £0.25 each



### Our prices

~~£18.95~~ £16.45 each

~~£18.95~~ £15.95 each for 2-3 tubs

### Our prices

~~£18.95~~ £15.45 each for 4-5 tubs

~~£18.95~~ £14.95 each for 6+ tubs

\*Free Delivery

\*Free Delivery



## ZUMA Mocha Frappé Mix (2kg) **\*Best Seller\***

Especially blended using the finest coffees and cocoas from around the world, creating cool and chocolatey frappé.

The perfect drink to cool down customers on a hot day. This Zuma frappé mix tastes fantastic. Quickly and easily blend ice, milk and a scoop of high quality Zuma frappé mix to give your customers a taste sensation they will not forget!

Add a pump of Teisseire flavouring syrups for some added finesse - creating some fantastic summer flavours.

Suitable for vegetarians.

Why not mix and match Zuma products to receive discounts for each product. (Can be mixed flavour cases)

**Also available:** 40g scoop - £0.25 each

**Our prices**  
~~£18.95~~ £16.45 each  
~~£18.95~~ £15.95 each for 2-3 tubs

**Our prices**  
~~£18.95~~ £15.45 each for 4-5 tubs  
~~£18.95~~ £14.95 each for 6+ tubs

\*Free Delivery

\*Free Delivery



## ZUMA Sticky Toffee Frappé Mix (2kg) **\*Best Seller\***

Zuma frappés allow you to create thick, smooth, consistent and delicious cold drinks, caffeine hit without the unwelcome heat of a hot drink. These are the only frappés that use real chocolate, real vanilla and real toffee pieces to give strong, natural flavours.

Zuma frappés have a significantly lower fat content than others, and unlike many brands, they contain no dangerous and unhealthy hydrogenated fats. We're convinced they're the best you can get Also Suitable for vegetarians.

Why not mix and match Zuma products to receive discounts for each product. (Can be mixed flavour cases)

**Also available:** 40g scoop - £0.25 each

**Our prices**  
~~£22.95~~ £17.95 each  
~~£22.95~~ £17.45 each for 2-3 tubs

**Our prices**  
~~£22.95~~ £16.95 each for 4-5 tubs  
~~£22.95~~ £16.45 each for 6+ tubs

\*Free Delivery

\*Free Delivery



## ZUMA Chocolate Frappé Mix (2kg) **\*Best Seller\***

Caffeine-free and made using real chocolate, Zuma chocolate frappé has a significantly lower fat content than others, and unlike many brands, contains no dangerous and unhealthy hydrogenated fats.

Try it with a dash of espresso, or whipped cream – the possibilities are endless!

Caffeine-Free and suitable for vegetarians.

Why not mix and match Zuma products to receive discounts for each product. (Can be mixed flavour cases)

**Also available:** 40g scoop - £0.25 each

**Our prices**  
~~£18.95~~ £16.45 each  
~~£18.95~~ £15.95 each for 2-3 tubs

**Our prices**  
~~£18.95~~ £15.45 each for 4-5 tubs  
~~£18.95~~ £14.95 each for 6+ tubs

\*Free Delivery

\*Free Delivery



## ZUMA Vanilla Frappé Mix (2kg) **\*Best Seller\***

Zuma frappé powders will rocket your drinks into the fourth dimension in an explosion of flavour and aroma. Blend ice, milk and a scoop of high quality Zuma frappé powder to give your customers a taste sensation they're not going to forget in a hurry! Get creative and add a pump of Teisseire syrup flavour of your choice, a dusting of chocolate, or if your feeling really extravagant, a swirl of delicious whipped cream.

Caffeine-Free and suitable for vegetarians

Why not mix and match Zuma products to receive discounts for each product. (Can be mixed flavour cases)

**Also available:** 40g scoop - £0.25 each

**Our prices**  
~~£18.95~~ £16.45 each  
~~£18.95~~ £15.95 each for 2-3 tubs

**Our prices**  
~~£18.95~~ £15.45 each for 4-5 tubs  
~~£18.95~~ £14.95 each for 6+ tubs

\*Free Delivery

\*Free Delivery



## ZUMA Spiced Chai Tub (1kg) **\*Best Seller\***

Zuma have travelled to the East in search of a legendary spice drink, reputed to soothe, refresh and bring a sense of wonderful wellbeing.

They found what they were looking for on the shores of India: chai, handmade for centuries in households across the land. They borrowed from the best blends encountered to perfect their own Spiced Chai recipe - a subtle combination of natural ingredients including ginger, cinnamon and nutmeg.

Suitable for vegetarians.

Why not mix and match Zuma products to receive discounts for each product. (Can be mixed flavour cases)

**Also available:** 28g scoop - £0.20 each

**Our prices**  
**£11.95 each**  
**£11.45 each for 2-3 tubs**

\*Free Delivery

**Our prices**  
**£10.95 each for 4-5 tubs**  
**£10.45 each for 6+ tubs**

\*Free Delivery



## ZUMA Vanilla Chai Tub (1kg) **\*Best Seller\***

Zuma have travelled to the East in search of a legendary spice drink, reputed to soothe, refresh and bring a sense of wonderful wellbeing.

They found what they were looking for on the shores of India: chai, handmade for centuries in households across the land. They borrowed from the best blends encountered to perfect their own Spiced Chai recipe - a subtle combination of natural ingredients including ginger, cinnamon and nutmeg.

Suitable for vegetarians.

Why not mix and match Zuma products to receive discounts for each product. (Can be mixed flavour cases)

**Also available:** 28g scoop - £0.20 each

**Our prices**  
**£11.95 each**  
**£11.45 each for 2-3 tubs**

\*Free Delivery

**Our prices**  
**£10.95 each for 4-5 tubs**  
**£10.45 each for 6+ tubs**

\*Free Delivery

## Lynch Hot Apple Fruit Drinks (sachets) **\*Best Seller\***



A naturally delicious drink sensation that is caffeine free and contains no artificial flavours or colours.

Hot Apple drinks are proving to be a great alternative to tea and coffee. These drinks can be enjoyed either hot or cold and come in four delicious flavours.

Sold by the case. Each box contains 50 x 23g sachets and come in a retail ready packaging that can be used to display on the counter.



**Certified Kosher by the Kashruth Council of Canada.**

### Flavours available:

- Original Hot Apple
- Hot Cranberry
- Hot Maple
- Hot Pear

### Our price

~~£20.95~~ **£19.95 per box**

## Lynch Hot Apple Fruit Drinks (tubs ) **\*Best Seller\***



A naturally delicious drink sensation that is caffeine free and contains no artificial flavours or colours.

Hot Apple drinks are proving to be a great alternative to tea and coffee. These drinks can be enjoyed either hot or cold and come in four delicious flavours.

Each tin contains 553g, equivalent to approximately 24 servings of 23g per serving. Cases can contain **mixed flavours**.



**Certified Kosher by the Kashruth Council of Canada.**

### Flavours available:

- Original Hot Apple
- Hot Cranberry
- Hot Maple
- Hot Pear

### Our prices

**£8.95 per tub for 1-2 tubs**  
**£7.95 per tub for 3-4 tubs**  
**£7.45 per tub for 5+ tubs**

\*Free Delivery

## Mini Marshmallows **\*Best Seller\***



A great topper to any hot chocolate, small and tasty mini marshmallows.

They can also be used with ice cream and in baking.

Small, soft and sweet - a must have product!!!

Sold singularly in 150g bags or cases of 24 x 150g bags

### Our prices

**£1.75 per bag for 1 - 5 bags**

**£1.50 per bag for 6 - 11 bags**

### Our prices

**£1.40 per bag for 12 - 23 bags**

**£27.95 each case of 24 bags**

\*Free Delivery

## Choc-o-Lait Chocolate Sticks **\*Best Seller\***



The original Belgian hot chocolate that comes on a stick, melted and stirred into a freshly steamed cup of milk for the ultimate authentically tasting hot chocolate experience.

Flavours available include: Caramel, Cinnamon, Coffee, Cointreau, Dark Chocolate, Hazelnut and Milk Chocolate.

Each box contains 24 sticks.

**Also available:** Branded cups and saucers, ideal for serving the Choc-o-lait drinks. Case contains set of 6 cups and saucers. £19.95 per set of cups and saucers.



### Our prices

**£18.45 per box for 1-2 boxes**

**£17.95 per box for 3-5 boxes**

**£17.45 per box for 6-8 boxes**

### Our prices

**£16.95 per box for 9-11 boxes**

**£16.45 per box for 12-14 boxes**

**£15.95 per box for 15+ boxes**

\*Free Delivery

\*Free Delivery

# MILKSHAKES

## Milk Shake Ice Cream (4 litre tub)



Just add to milkshakes when blending to thicken and to add extra taste. Butterfat levels are ideal for blending into shakes, and make a delicious creamy shake with a refreshing taste.

**This product is suitable for vegetarians.**

### Our prices

~~£4.99~~ £4.75 each for 1 tub  
~~£4.49~~ £4.45 each for 2 tubs  
~~£4.49~~ £3.95 each for 3 tubs

### Our prices

~~£4.25~~ £3.75 each for 4 - 5 tubs  
~~£3.95~~ £3.45 each for 6 + tubs

\*Free Delivery

## Pre-Portioned 'Healthy' Shakes **\*Best Seller\***



Ideal dairy alternative to our super smoothies, these individual milkshake portions are low in calories and perfect for the health-conscious consumer.

These real fruit shakes are made with fat free yoghurt. Simply add a portion to a blender with 130 - 150ml of semi skimmed milk, blend and serve to make a super milkshakes.

Portions can be ordered individually, when purchased with smoothies in the same order.

### Flavours available:

- Banana
- Blackcurrant
- Raspberry
- Strawberry
- Vanilla

### Our prices

**£1.10 per portion when purchased with our smoothies**

**£12.00 per case of 12 portions (single flavour only)**

**£11.40 per case when ordering 6 or more cases**

**Prices include free posters**

## Pre-Portioned 'Indulgent' Shakes **\*Best Seller\***



Offer your customers a real treat with these superb indulgent shakes and Ideal dairy alternative to our super smoothies.

These portions contain ice cream and real pieces. Simply add a portion to a blender with 130 - 150ml of semi skimmed milk, blend and serve to make a super milkshakes

Portions can be ordered individually, when purchased with smoothies in the same order.

### Flavours available:

- Choc chip
- Mint choc chip
- Smarties
- Toffee fudge

### Our prices

£1.10 per portion when purchased with our smoothies

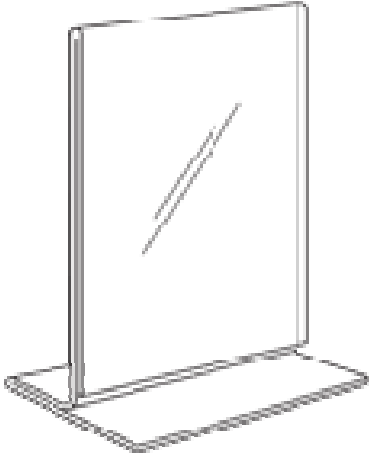
**Prices include free posters**

£12.00 per case of 12 portions (single flavour only)

£11.40 per case when ordering 6 or more cases

# POINT OF SALE MATERIALS

## A5 PVC Freestanding Menu Holders (Double Sided Portrait) **\*Best Seller\***



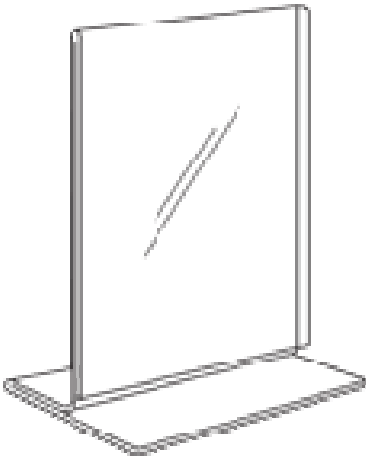
Manufactured in clear PVC. Good impact resistance.

Wipe clean and durable.

**Our price £1.85 each  
(exc VAT)**

**Or order 20+ for £1.65 each  
(exc VAT)**

## A5 Acrylic Freestanding Menu Holders (Double Sided Portrait) **\*Best Seller\***



Manufactured in 2 & 3mm clear acrylic with polished edges.  
Supplied poly-bagged.

Wipe clean and durable.

**Our price £2.50 each  
(exc VAT)**

**Or order 20+ for £2.25 each  
(exc VAT)**

# JUICING MACHINES

## **\*New\* Frucosol F-10**



The smallest of all our juicers, with the Frucosol F-10, you can enjoy tasteful citrus juice in seconds.

Made completely from stainless steel, its mini size means it can be placed just about anywhere!

Dishwasher safe, this juicer is ideal for your shop *and* home, and can provide good profit, polished image and save you time.

Dimensions: H 40.6cm - W 20cm

**Free Delivery to Mainland UK,  
exc. N.I., Highlands & islands.**

**Our Price £420**

~~RRP: £520~~

Save £100

## **\*New\* Frucosol F-50**



The F-50 is an automatic juicer of manual feeding, offering the freshest squeezed juice with any additives.

It has an attractive design and is made from stainless steel, which makes it fit in any kind of ambiance.

There isn't a smaller, lighter machine that equalises its technical features in the market at the moment. This machine will provide your establishment with profits, whilst saving you time.

It's front opening allows you to see it at work, and makes for easy cleaning.

Dimensions: H 73cm - W 47cm - D 36cm

**Free Delivery to Mainland UK,  
exc. N.I., Highlands & islands.**

**Our Price £1,715**

~~RRP: £2,000~~

Save £285



### **\*New\* Frucosol Self-Service**

With its one-press tap, the Frucosol Self-Service allows your customers to help themselves to juice in seconds, in the most comfortable and easiest way, allowing your staff to continue their other duties.

As with all Frucosol juicers, the Self-Service is made of bright high-quality stainless steel, enabling easy cleaning.

Its stainless steel cabinet houses a glass rack, that can be positioned where required, so that you can ensure that a fresh supply of cups are always to hand.

Dimensions: H 163cm - W 58cm - D 70cm

**Free Delivery to Mainland UK,  
exc. N.I., Highlands & islands.**

**Our Price £3,595**

~~RRP: £4,195~~

Save £600

### **Zumex Minex \*Best Seller\***



The Zumex Minex is the smallest and most compact Zumex Juicer. It's equipped with an orange counter, anti-drip system, integrated 750cc pitcher and display. It squeezes 13 oranges per minute and has a feed capacity of 6 oranges.

Available in metallic silver, ruby red, green, blue, orange, white, black, grey, metallic bronze, metallic graphite, light blue and light green finishes – shown here in ruby red.

Dimensions: H 72cm - W 36cm - D 36.5cm

**Free Delivery to Mainland UK,  
exc. N.I., Highlands & islands.**

**Our Price £1,945**

~~RRP: £2,100~~

Save £155

## Zumex Essential Pro



The Zumex Essential Pro is fully programmable to suit your needs – you can even programme how many oranges are required for squeezing. Its self-service tap means that the machine starts simply by pressing the tap.

It has a touch control button panel with an interface that shows the user the status of the machine at all times, and with a menu with many options that enable total control of the service and is programmable in 23 languages.

With a new drip-free tap system, its base is removable for easy dishwasher cleaning.

Dimensions: H 88cm - W 47cm - D 50cm

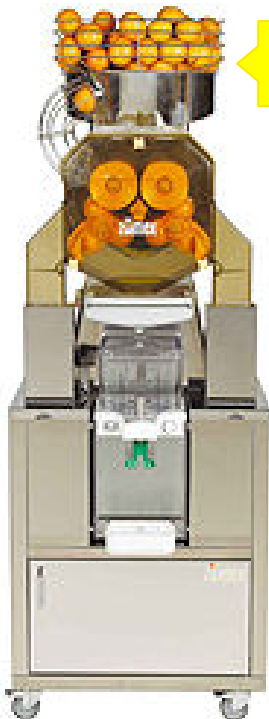
Available in Orange, Silver (pictured) and Graphite

**Free Delivery to Mainland UK,  
exc. N.I., Highlands & islands.**

**Our Price £2,645**

~~RRP: £2,880~~

Save £235



**STAR  
BUY**

## Zumex Speed Cooler Podium

## Zumex Speed Cooler Podium

The Zumex Speed Cooler Podium is the ideal machine for self-service outlets, as customers can pour their own juice. This machine squeezes 38 oranges per minute! It has a stainless steel cabinet with large capacity bucket for peel waste. The cabinet is equipped with handles and alloy wheels. It also has a 7 litre temperature adjustable cooling unit with non-drip tap.

Dimensions: H 185cm - W 68cm - D 74cm

**Free Delivery to Mainland UK,  
exc. N.I., Highlands & islands.**

**Our Price £5,355**

~~RRP: £5,920~~

Save £565

**This is a small selection of our  
Frucosol and Zumex juicers.  
To see our full range,  
please contact us to request a catalogue.**

# CENTRIFUGAL MACHINES



## Santos K58

Introducing the latest innovation from Santos. The K58 is a commercial quality, high output, centrifugal juice extractor. With its 1300W motor, this machine produces over a litre of juice per minute! Heavy duty, yet very silent. Plus, the new extra wide chute (79mm/3") means no more chopping fruit and veg before juicing – saving you lots of time.

All removable parts are dishwasher safe, as per manufacturers instructions.

**Dimensions (mm):** 550H x 320W x 480W    **Weight (kg):** 24

**Free Delivery to Mainland UK,  
exc. N.I., Highlands & islands.**

**Our Price £1,595**  
~~RRP: £1,695~~  
Save £100



## Nutrifaster N450

The Nutrifaster N450 is a highly popular commercial juicer that is used in various commercial settings, such as juice bars, health clubs and gyms, restaurants and bars. It's capable of quickly making high volumes of fruit and vegetable juices. The N450 is a centrifugal juicer with a powerful 1.25hp motor that will handle the toughest all day long juicing jobs.

Dimensions: H 30.5cm - W 30.5cm - D 47cm

Dishwasher friendly, as advised by manufacturer.

**Free Delivery to Mainland UK,  
exc. N.I., Highlands & islands.**

**Our Price £2,495**  
~~RRP: £2,595~~  
Save £100

## Zumex Multifruit Speed Control



The latest product from Zumex, this multifruit juicer has an electronic control system which checks torque and revolutions, putting up more power if necessary. The grating disc has a central design to prevent fruit from turning aside while crushing. With two its speed selector for soft or hard fruit, this machine works extremely silently.

The immediate reply electronic braking system and induction motor, mean that its free of maintenance and has a longer lifespan compared to conventional motors.

Plus, the useful anti-drip tap and try keeps the working area clean. Easy to disassemble for cleaning without tools.

Dishwasher friendly, as advised by manufacturer.

Available in Silver, Black and White

Dimensions: H 50cm - W 48cm - D 29cm

**Free Delivery to Mainland UK,  
exc. N.I., Highlands & islands.**

**Our Price £1,600**

~~RRP: £1,800~~

Save £200

## **\*New\* Frucosol F-2000**



This juice extractor is a tool that will revolutionise the skill of elaborating your juices, not only by mixing fruits but also with vegetables.

Capable of producing 30ltr of juice per hour at a rate of 2800rpm, using just 750W with its 3/4hp motor. This smart machine also benefits from an automatic switch-off sensor.

This machine is modern in design and is practical; it means that the use and cleaning of are very easy, as it's made of independent pieces that can be put into your dishwasher without any problem.

Dimensions: H 46cm – Dia. 31cm    Weight: 24kg

**Free Delivery to Mainland UK,  
exc. N.I., Highlands & islands.**

**Our Price £1,195**

~~RRP: £1,360~~

Save £165

# ICE MACHINES

## KM35A



The ideal machine for when a high degree of displacement is required – typically for bars, fast food outlets and restaurants. The cubes are half the usual size, making it very simple to blend in commercial blenders. It makes up to 36kg of ice per day and has a massive 16kg bin capacity! With a stainless steel evaporator and being front-vented, means the machine can be built-in to your existing counter. Designed for ultra-easy maintenance, it also has washable condenser air filter.

Dimensions: H 84cm - W 45cm – D 61cm

### Other models available:

- KM50A – Our price £1,220
- KM75A – Our price £1,630

**Our Price £800**

~~RRP: £1,030~~

Save £230

**Further details for the above two models are available upon request.**

# SOFT SERVE MACHINES

## PRICES START FROM £3,995



### Spaceman 338 Free Standing Single Flavour Machine

Similar to the 228, but with added capacity to produce an output of approximately 300 cones per hour (based on 100g cone).

This machine benefits from a 16.5ltr mix hopper, a 3.2ltr freezing cylinder, Mix Low Indicator, Hardness Indicator, electronic Touch Button Controls, and a 2hp motor.

When mix levels are low, the Mix Low indicator illuminates to alert the operator to add mix. Plus, the Hardness Indicator displays hardness status of the refrigerated product to ensure product quality. So you never have to worry about a thing!

This machine is also available with pump option. The pump allows air to flow through your product whilst dispensing, so as to give your customer a fuller product, and allowing you to maximise your profits without compromising quality.

**Dimensions (mm):** W550 x D650 x H1540 **Weight (kg):** 180

#### Options available:

- Pump option - £600

**Our Price £6,990**

~~RRP: £8,495~~

Save £1,505

**We can supply a vast selection of Spaceman ice cream machines which includes free delivery. Prices start from £3,995. Please email or call us for more details or to request a catalogue.**

**We also can supply a selection of small storage freezers & Ice Cream Display Freezers.**

# COFFEE MACHINES

## Fracino Romano Coffee Machine Packages



The Romano is a powerful marriage of style and award-winning technology. Combining world-class engineering skills and state of the art production methods with timeless design, the Romano is available with 2 or 3 coffee making groups, hot water outlets fitted with anti-splash nozzles and steam tubes for frothing milk.



The Romano – developed out of Fracino's extensive research and development programme – features an illuminated polished stainless steel back panel and highly polished curved side panels. An exquisite marbled effect in midnight quartz corian on the base is complemented by the aluminium flecked steam and water valves and the uniquely styled filter holder handles.



Boasting all the power, technical qualities and reliability synonymous with Fracino products, the Romano's classic curves, stunning retro-styling and contemporary materials guarantee the ultimate bar furniture.

Now available to purchase as a package deal, just choose either a 2 or 3 group machine.



Both packages come with the following as standard:

- Fracino coffee grinder model T (pictured)
- Coffee knockbox (pictured)
- Barista kit (pictured) & Water filter
- 2 steam wands
- Thermosyphonic circulation
- Installation and training
- 15kg of coffee (makes 2250 shots of Espresso)
- 1000 brown sugar sticks & 1000 white sugar sticks
- 200 x 12oz hot beverage take-away cups + lids

**We can supply a wide range of Fracino coffee machines, with prices starting from £1,995 + VAT.**

**Please contact us for a catalogue.**

### **WMF Bistro with Fridge Bean to Cup Coffee Machine**

Under machine cooler for plenty of milk when space on the counter is limited.



- Temperature adjustable from 2° - 8°C
- Removable milk tank with 9.5 litres capacity
- Separate on-/off-switch
- Milk hose neatly routed through the drip tray for use with the WMF Bistro

**We stock a wide range of Franke and WMF bean-to-cup coffee machines.**

**Please contact us for a catalogue.**

**We also can supply separate coffee machine items, including knockboxes, thermometers and side fridges for bean to cup machines.**

**Please contact us for further details.**